

Dear Valued Customer,

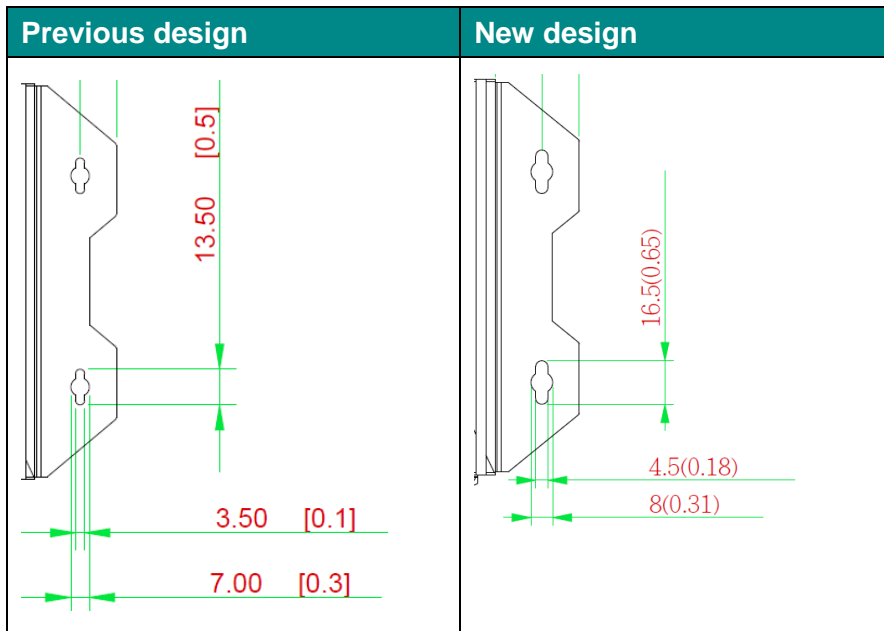
We would like to provide additional information regarding some changes to the V2406C Series that Moxa has made since February in 2022. Please refer to the details below to determine how these changes affect your products and/or operations.

**What has changed?**

We have implemented the following change to the new versions of the V2406C Series:

- The diameter of mounting kit holes and the overall length of mounting kit have been changed.

Please refer to the figure below:



(Unit: mm)

**When has this change taken effect?**

The design change of mounting kit began February 2022, and it is not significantly affect functionality.

If you have any questions, please contact Alicia Wang at [AliciaCF\\_Wang@moxa.com](mailto:AliciaCF_Wang@moxa.com), or contact your regional sales representative.